

PATIO DOORS

SERIES 7000



Craftsmanship. Style. Performance.

**Strassburger**  
SINCE 1949  
WINDOWS AND DOORS

## Designed To Work Like A Charm

All Strassburger patio doors have a common characteristic ... quality craftsmanship that translates into performance that's built to last



- It's always smooth and quiet sliding from the sturdy, patented dual-tandem wheels on these doors. (They've withstood, without failure, 119,000 test cycles carrying a 165 lb.sash - the equivalent of over 30 years of constant use!). Not to mention that wheels now include sealed bearings for even longer life.

- Try the fingertip test: bet you can open this door with just the tip of a finger! The easiest door to operate in its category.
- Our lock has retractable latches so they will not break if the door is shut with them in a closed position.
- Take the monorail - the sturdy all-aluminum angle legged tracks on these doors ensure stability and ease of use.

- The anodized sill cover provides enhanced protection, superior drainage, and improved aesthetics. The cover comes standard on painted and DoubleNature patio doors and is optional for white doors.



- It's smooth sliding all the way with the screen doors. Their patented spring-loaded rollers are fully adjustable at each corner, to prevent bothersome derailing.
- Installer-friendly design means uneven surfaces are never a problem - it's a snap to plumb and square Strassburger doors.





## It's All A Matter Of Style

Great looking patio doors that are more energy-efficient than ever and add extra value to your home

**Whether you are building a new home or purchasing replacement patio doors, Strassburger Windows and Doors offers a wide range of styles that make them the ideal choice for your home's design.**



### The most innovative and popular patio door systems. A hallmark of quality living.

The Strassburger patio door series is often imitated but never duplicated. It opens up the future to a new generation of premium-quality all PVC doors with a host of outstanding features and benefits. Standard colour is solid white. You can choose from a variety of outstanding custom colours.

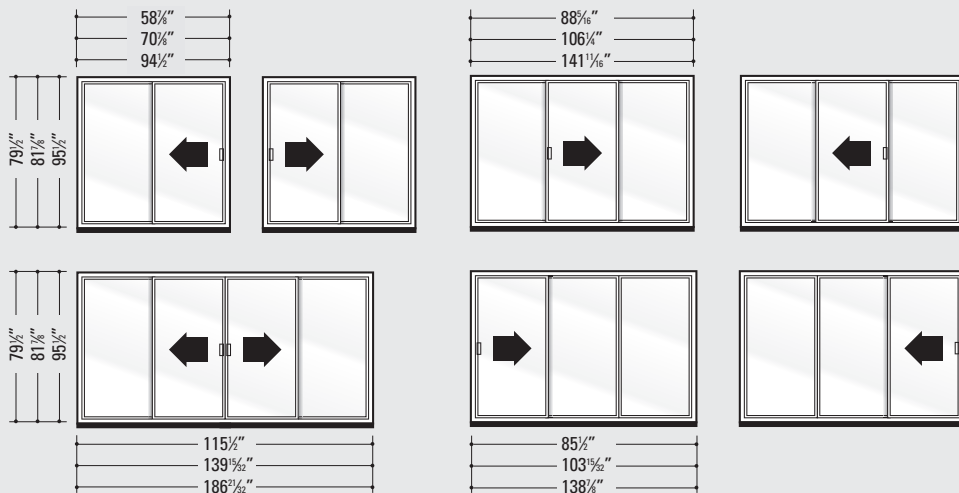


### The perfect combination of beauty and practicality

Doublenature® Stained Vinyl patio doors add a natural elegance to your home's exterior and a rich, warm complement to the interior. Choose from four exquisite factory applied stains that work well with any home's palette and are easy to maintain.

### Opens any way you like

Available in 2-panel, 3-panel and 4-panel configurations with a wide range of energy-efficient glazing options, decorative grilles and sizes. Each configuration of standard patio doors is available in three different widths and heights. Custom sizes are also available upon request.

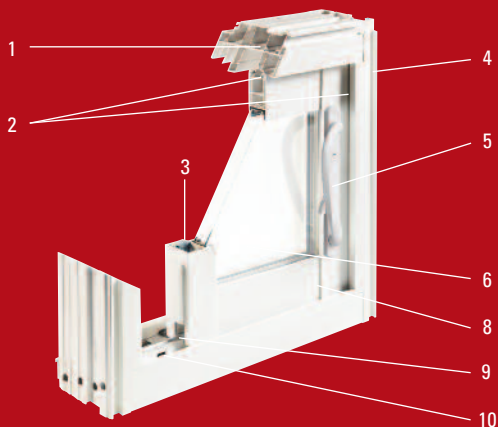




## Beautifully Innovative

Performance and durability designed to fit your lifestyle.

The remarkable performance of Strassburger patio doors is a result of attention to the smallest of details in the quest for premium product quality.



7800 Series Mechanical Sash

- 1 Energy-efficient multi-chamber design
- 2 Triple weather stripping virtually eliminates air infiltration
- 3 Meeting and mobile stiles steel reinforced
- 4 Integrated drywall retainer
- 5 Standard or multi-point locking systems
- 6 Accommodates 1" triple-glazing or blinds
- 7 Fusion welded sash design
- 8 Mechanical sash design
- 9 Patented sliding system
- 10 Exclusive patented water drainage system incorporated into the lower sill



White PVC

These doors are made with components that are built to stand the test of time. You'll enjoy a "hassle-free" door system with performance, durability and elegance guaranteed for years of regular use. Both door styles are ideal for the variable Canadian climate, are NAFS compliant and meet EnergyStar® requirements.

- Multichamber profiles and multiple weatherstripping help eliminate most outside noise
- Strassburger PVC patio doors, with their exceptional insulation, are among the most energy-efficient on the market
- 100% PVC extrusions are designed to provide superior resistance to severe weather conditions
- Easy to open and close, dual-tandem nylon wheels offer a smooth and quiet operation
- Optional multi-point locking system provides heavy-duty security
- Lower sill design provides safer entry and exit
- Designed to be aesthetically and structurally compatible with other Strassburger window styles
- Operating hardware is available in several options, colours and finishes
- Standard extrusion colour is solid white. See colour chart for exterior standard and custom colours

### Performance - Test Results

	Air	Water	Wind	Forced Entry
7500/7800 Series	A3	B4	C3	F2
Ind. Standard	A1	B1	C1	F1



#### Superior stability

Galvanized steel reinforced panels ensure rigidity and stable operation



#### Increased protection

Fixed and mobile panel rails meet and interlock perfectly, making door removal from the outside almost impossible.

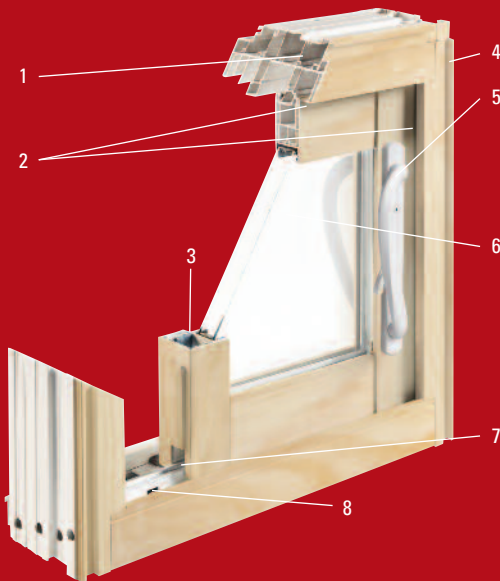




# Doublenature® Patio Doors

The advantages of PVC. The appearance of wood.

Strassburger Doublenature® patio doors match the aesthetic appeal of wood with the unmatched performance of PVC.



7800 Series Mechanical Sash

- 1 Energy-efficient multi-chamber design
- 2 Triple weather stripping virtually eliminates air infiltration
- 3 Meeting and mobile stiles steel reinforced
- 4 Integrated drywall retainer
- 5 Standard or multi-point locking systems
- 6 Accommodates 1" triple-glazing or blinds
- 7 Patented sliding system
- 8 Exclusive patented water drainage system incorporated into the lower sill



7800 Series with Doublenature® finish

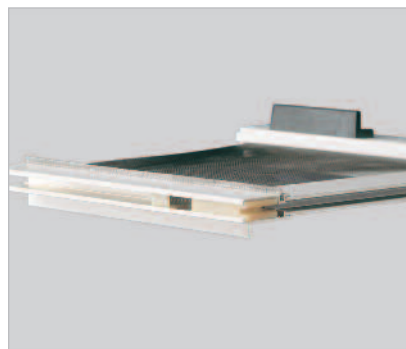
Doublenature® provides a range of inspiring looks that add beauty and a feeling of cosy comfort to your project, whether it's large or small, doors or windows. Doublenature® offers the organic and natural warmth of wood... without maintenance. At once trendy and timeless, the natural wood finish of the Doublenature® collection blends with other materials and textures to give your project its own unique look.

With a finish that can be applied inside as well as outside, Doublenature® products provide the most realistic wood finish in the PVC industry. It's the perfect combination of beauty and practicality, innovation and tradition.

- Optional multi-point locking system provides heavy-duty security
- Fixed and mobile panel rails meet and interlock perfectly, making removal from outside almost impossible
- Lower sill design provides safer entry and exit
- Designed to be aesthetically and structurally compatible with other Strassburger window styles
- Operating hardware is available in several options, colours and finishes
- Standard extrusion colour is solid white. See colour chart for exterior standard and custom colours

## Performance - Test Results

	Air	Water	Wind	Forced Entry
7500 Series	A3	B4	C3	F2
Ind. Standard	A1	B1	C1	F1



### Sturdy screen

Extruded screen with stainless steel screws and patented adjustable spring-loaded suspension system in each corner are designed not to derail or jam.



### Water-based, UV-resistant stain

Doublenature® is available in a range of natural colours inspired by some of the world's most noble wood species.





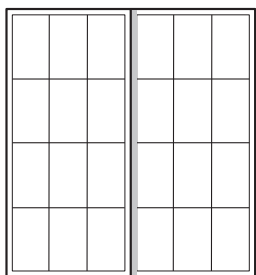
## It's All In The Details

Our attention to detail doesn't stop at the patio doors... it's the finishing touches that make a Strassburger door complete

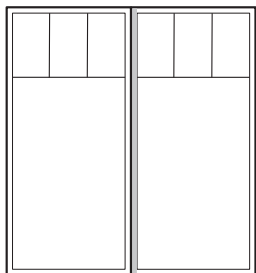


This patio door perfectly complements our high-end window profiles for a spectacular look

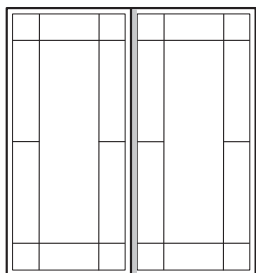
Choose from a variety of patterns to create a spectacular door style that complements your architecture and your individual taste.



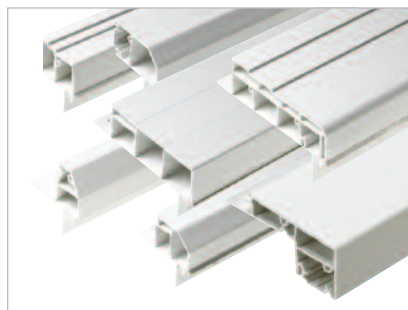
Colonial



Ladder

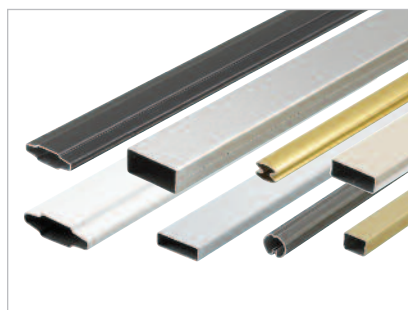


Prairie



### Brickmould and trim options

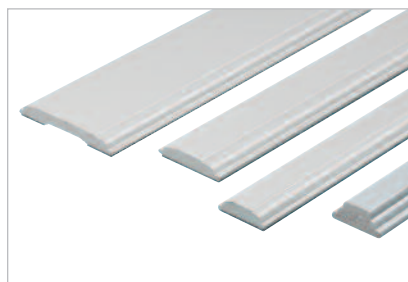
A wide variety of decorative brickmoulds, jamb extensions and trim options are available to finish the patio door. Most brickmoulds have tear-out systems to allow for siding. Available in standard white, these extrusions can be painted to match your chosen door frame colour.



### Grille designs complement your architectural style

Grilles placed within the airspace between the insulating glass create a sleek, traditional look that is easy to clean. We offer a wide selection of grille styles and colours that will enhance the look of your doors and complement the design of the building.

Multiple shapes, sizes and colours\* of grilles to choose from. Exact colour matches to grilles are not always possible. Default grilles are pewter or an SDL grille.



### Simulated Divided Lites

Surface-mounted grille bars create a unique and distinctive multi-pane effect known as simulated divided lites.



### Foot lock

Convenient and easy-to-use tamper-proof foot lock provides additional security



### Standard 1/2 Screen

Standard smooth sliding 1/2 width screen is equipped with patented spring-loaded rollers, fully adjustable at each corner



### Hide-Away Screen

Optional Hide-away screen is a unique design that allows the screen to retract and be virtually out of sight when not in use



### Blinds

Integrated aluminum mini-blinds, for maintenance-free privacy





### Hardware Options

The slim design and superior quality of all the door hardware ensures your patio doors perform flawlessly for years. All of our locking mechanisms are anti-slam and galvanized steel reinforced. The optional multi-point locking system provides optimum security and resistance to forced entry. Standard on Contemporary, Modern, and Sleek.



White



Black



Oil Rubbed Bronze



Brushed Antique Chrome



Brushed Nickel



Coppertone



Contemporary - Black



Contemporary - Satin Nickel



Contemporary - White



Modern - Black



Modern - Satin Nickel



Modern - White



Sleek - Satin Nickel

### New technology turns glass into insulation

Strassburger patio doors are glazed with cutting edge technology from Cardinal Glass Industries. Through research and engineering Cardinal glass adds new standards of comfort, energy savings and value to your home. Cardinal glass is specifically designed to let clear light stream into your home while rejecting the sun's heat and damaging UV rays that shorten the life of drapes and furniture. All Cardinal units come complete with the XL Edge spacer system which provides proven thermal and structural performance.



Double and triple glazed windows deliver outstanding thermal performance. Low conductivity warm edge spacers keep the panes of glass apart.

**LoE-i89** delivers triple-pane performance in a double pane window when used in combination with other LoE glass

- remarkably low U-factors
- reflects escaping heat back into room
- high energy efficiency

**LoE-180** is the ideal glass for passive solar applications

- high solar gain
- blocks interior heat loss to outside
- dramatic comfort improvements

**LoE<sup>2</sup>-272** provides year round comfort

- reflects heat back into room on cold days
- promotes easier control and maintenance of interior air
- reflects harmful UV rays

**LoE<sup>3</sup>-366** reflects the sun's heat without affecting the view

- provides premium insulation and comfort
- rejects 95% of sun's damaging UV rays
- highest levels of energy savings

**Neat™** windows almost clean themselves

- the sun's UV rays loosen the dirt so rain water can wash it off
- ultra smooth glass disperses water
- windows stay cleaner longer

**Preserve™** protects your glass from getting scratched or damaged in shipping, handling and on the construction site

- factory applied protective film
- saves time, money and jobsite hassles
- simply peels off

### Standard or custom. You pick the colour

You've chosen the right patio door to make your home just the way you want it, now it's time to pick that perfect colour. We offer 50 standard colours chosen specifically to complement any new home design or retro-fit. Custom colour matching is also available. All exterior paint colours come with a 20 year warranty. All exterior stain colours are warranted for 10 years.

These finishes are formulated to look better, last longer and are applied by our own specialists in a controlled, dust-free environment. We take care to use only water soluble paint so clean-up and disposal is efficient and doesn't affect the environment.

\*Colour disclaimer: We cannot guarantee that the colours shown in the product images are exactly correct to the product. Please consult your Strassburger Windows and Doors dealer for exact product and colour chip matches.





# The Energy Plus company since 1949

Proudly Canadian, we're dedicated to designing and building energy efficient products

Strassburger Energy Star® energy-efficient windows deliver year-round comfort and reduce, if not eliminate, condensation during colder weather. All Strassburger windows come with many glazing options to suit your needs and the region you live in.

To qualify for the Energy Star® mark, windows must meet strict technical requirements for thermal performance. They must qualify based on either their U-value (rate of heat transfer from a warm area to a cold area) or their Energy Rating (a scale that takes into account a product's U-value, potential solar gain and air tightness). To ensure the integrity of the Energy Star® mark, all product testing is done by accredited laboratories under standardized, quality-controlled conditions. Visit our website to review all the Energy Star® and NFRC ratings on all our products.

# The best windows, backed by the best warranty

We're so confident in the windows we design and produce, we guarantee them for life

We promise to adhere to the highest standards of honesty and integrity in all our relationships with customers, suppliers, prospects and employees and at all times provide high-quality products and service.



Talk to your dealer about a visit to the Kitchener showroom to see our complete line of windows and doors.

For information on other outstanding fenestration products offered by Strassburger Windows and Doors visit: [strassburger.net](http://strassburger.net)

